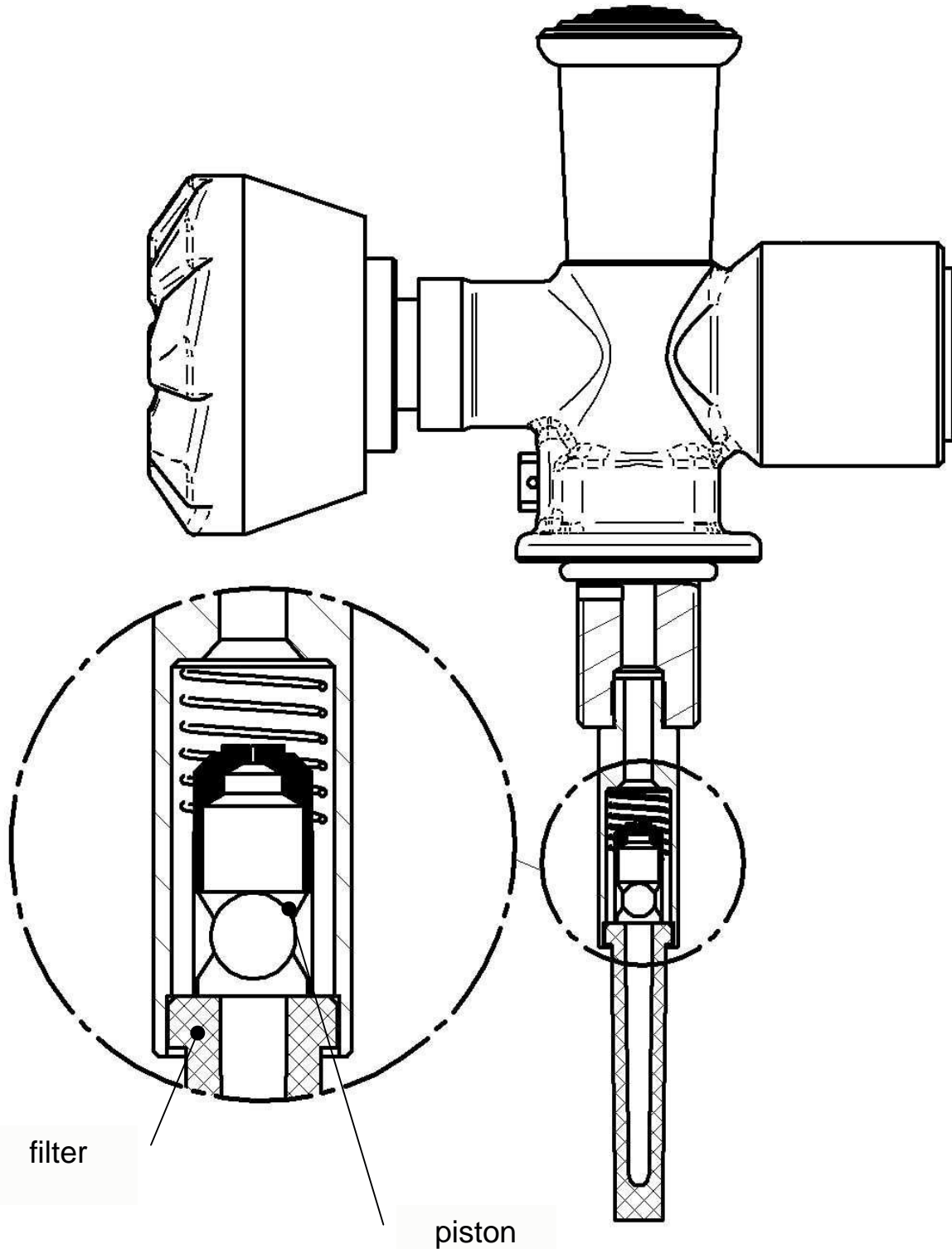


- **BAM-approved (file-# II-911/2003)**
- **With protection tube and sintered filter**
- **Also applicable for composite cylinders with hexagonal socket 12mm**

VTI *Excess Flow Valve*

... sectional view:



... flowchart:

